



**HIGH WEAR**

Panel Products

**DATA SHEET | TECHNICAL DATA | MFB - MELAWOOD HIGH WEAR**

Date: March 2019

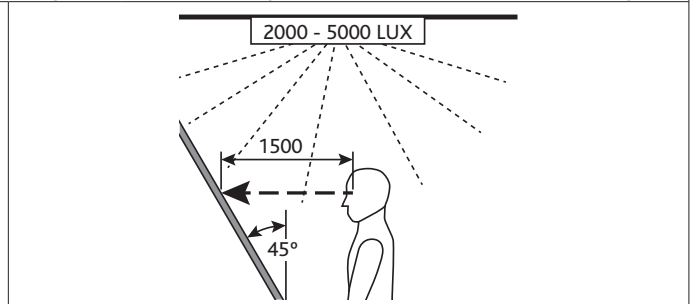
MELAMINE FACED BOARD (MFB) - HIGH WEAR  
 (MEDIUM DENSITY FIBREBOARD/PARTICLEBOARD SUBSTRATE)  
 - FOR INTERIOR USE INCLUDING FURNITURE

No	PROPERTY	TEST METHOD	UNITS	
1	Thickness tolerances on nominal dimensions - Thickness Tolerance	EN 14323	mm	± 0,3
	Length and width - Commercially available panels - Pre-cut panels	EN 14323	mm	± 5,0 ± 2,5
2	Flatness	EN 14323	mm/m	≤ 2 (only for balanced surfaces)
3	Edge damage - Commercially available panels - Pre-cut panels	EN 14323	mm	≤ 10 ≤ 3
4	Surface defects	EN 14323	mm <sup>2</sup> /m <sup>2</sup>	points: 2 per 1
			mm/m	length: ≤ 20
5	Resistance to scratching	DIN EN 438 - 2	N	≥ 2
6	Resistance to surface vapour	DIN EN 438 - 2	Rating	5 no visible changes
7	Light exposure	DIN EN 438 - 2	Rating	Level 5
8	Resistance to impact	DIN EN 438 - 2	N	15
9	Formaldehyde release (EN 312 : 2010)	EN 120	mg/100g	Class E1 (≤ 8mg/100 grams) or Class E2 (≤ 30mg/100 grams)

**NOTES:** Available in 2750mm x 1830mm only.  
 For the physical and dimensional properties, refer to the relevant standards from the series EN 622 and EN 312.  
 Normally, unless otherwise specified, the MDF grade will be described in EN 622-5 (MDF) and Particleboard in EN 312: 2010.  
 Numerous factors including changes in temperature and relative humidity in storage and fabrication areas at building sites may cause boards and panels to bow or twist irreversibly

**Conditions for defect assessment**  
 For a micro-imperfection to be defined as a defect, it must be detectable under the following conditions (this applies to spots/dents as well as fibres/scratches):

- Viewing distance of at least 1500mm from board surface
- Viewing duration: maximum 20 seconds
- Light intensity: 2000 - 5000 Lux
- Inclination angle of product: 45° to the vertical



CUSTOMER SERVICE CENTRE  
 Corner of Lonie & Brakpan Road  
 Boksburg, 1460, South Africa  
 Tel 0860 579 196